

# FOUR PASS CONTINUOUS SHRIMP FEED DRYER

As one of the world's largest suppliers of dryers and dryer/coolers for the food and feed industries, Wenger has now applied their drying expertise, craftsmanship and forward-thinking design techniques to a new four-pass continuous dryer specifically engineered for shrimp feed: the Wenger 24S30-4 Shrimp Feed Dryer.

## A SUPERIOR DRYER DESIGNED SPECIFICALLY FOR SHRIMP FEED PRODUCTION

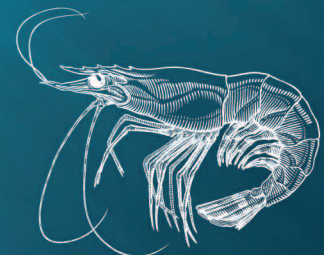
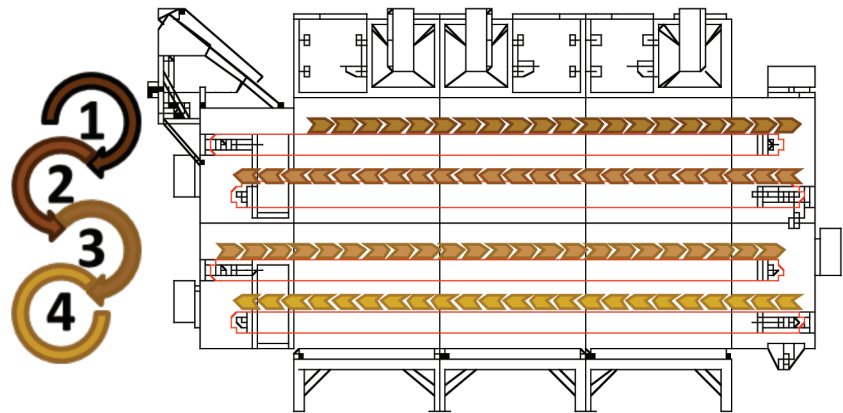


Careful consideration was taken to select dryer components engineered ideally for shrimp feed processing:

- **Mesh Screen Conveyor** – Retains all feed while maximizing process airflow that removes moisture from the product.
- **Heavy Duty Steam Coils** – Ensures reliability of the steam coils that provide an abundance of consistent, efficient heat to the drying process.
- **New Direct Drive Spout Spreader** – Provides easy in-line adjustment of spreader to create a level product bed, which is extremely important for uniformity in the final product moisture level.

## EFFICIENT USE OF PLANT SPACE

The multi-pass conveyor Shrimp Feed Dryer utilizes height, rather than taking up limited floor space. And that smaller footprint on your factory floor delivers another benefit: extra passes within the taller framework of the dryer means the product is blended gently multiple times during the continuous drying process, delivering improved product uniformity.



## PRODUCT RETENTION TIME CONTROL

Retention time is a critical tool in creating a perfect product. Variable speed control of all conveyors in the Shrimp Feed Dryer provides process adjustment to pin point the drying time and bed depths needed for the shrimp feed drying process.

## PROCESS TEMPERATURE CONTROL

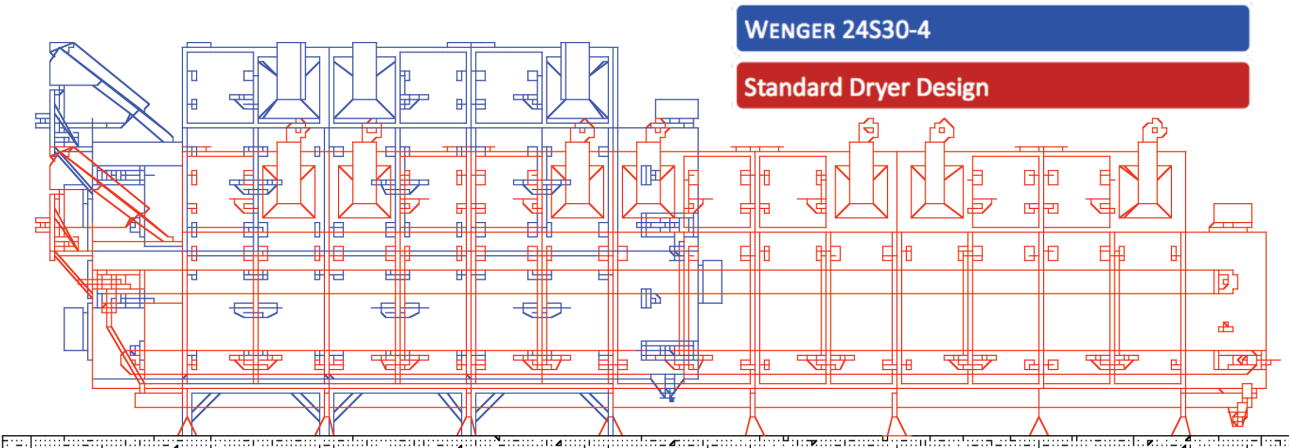
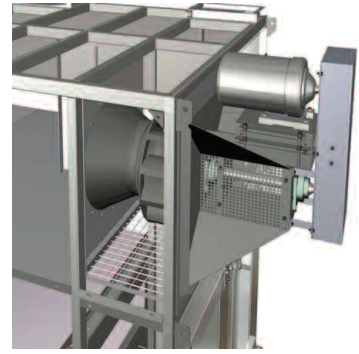
The Shrimp Feed Dryer employs heavy-duty steam coils, which provide an ample amount of heat to each process zone. Steam control valves precisely control zone process temperature. Three temperature zones provide flexibility for perfecting the process parameters.

## PROCESS AIRFLOW CONTROL

Fine-tuning of process airflow speed and balance allows for production of a variety of feed sizes and densities while maximizing drying capacities of each product.

- Airflow from both sides of the dryer provides even drying across the bed
- Airflow speed control optimizes the drying capacity for each product

Available adjustments improve efficiency of the drying process and quality of the final shrimp feed.



### WENGER PLANT AND CORPORATE OFFICES

714 MAIN STREET, SABETHA, KANSAS 66534-0130 USA

TEL 785 284 2133 FAX 785 284 3771 EMAIL [INFO@WENGER.COM](mailto:INFO@WENGER.COM)

**BELGIUM** +32 3 232 7005

**TAIWAN** +886 4 2322 3302

**BRASIL** +55 19 3881 5060

**CHINA** +86 10 6641 5979

**TURKEY** +44 1502 675 780

[WWW.WENGER.COM](http://WWW.WENGER.COM)

BULLETIN SFD712 © 2012 WENGER MANUFACTURING, INC.

